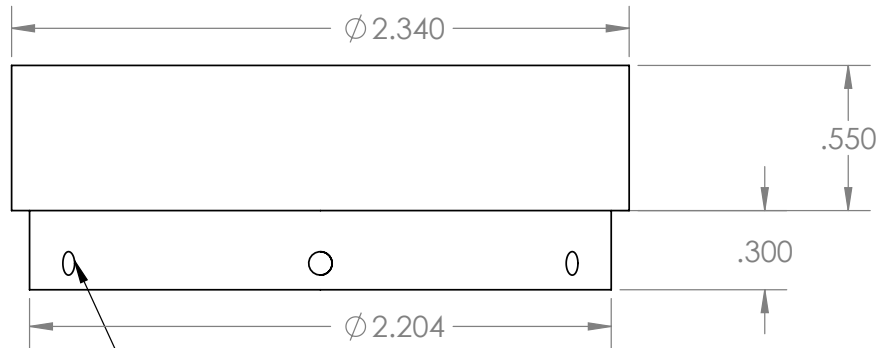
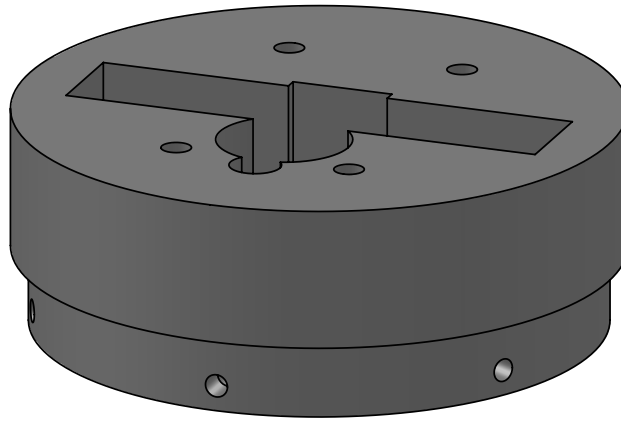


2

1

B

B



6 4-40 helicoil

A

A

**PROPRIETARY AND CONFIDENTIAL**

THE INFORMATION CONTAINED IN THIS DRAWING IS THE SOLE PROPERTY OF CORNELL UNIVERSITY. ANY REPRODUCTION IN PART OR AS A WHOLE WITHOUT THE WRITTEN PERMISSION OF CORNELL UNIVERSITY IS PROHIBITED.

**SOLIDWORKS Student Edition.**  
For Academic Use Only.

		DIMENSIONS ARE IN INCHES TOLERANCES: FRACTIONAL ± ANGULAR: MACH ± BEND ± TWO PLACE DECIMAL ± THREE PLACE DECIMAL ±	NAME	DATE
			DRAWN	1/29/16
			CHECKED	
			ENG APPR.	
			MFG APPR.	
			Q.A.	
			COMMENTS:	
		MATERIAL		
		FINISH		
		NEXT ASSY. USED ON		
		APPLICATION		
		DO NOT SCALE DRAWING		

Ritika Dusad  
rd429@cornell.edu  
Davis Group  
A19 Clark Hall

SIZE	DWG. NO.	REV.
<b>A</b>	can lid off center	
SCALE:1:2	WEIGHT:	SHEET 1 OF 3

2

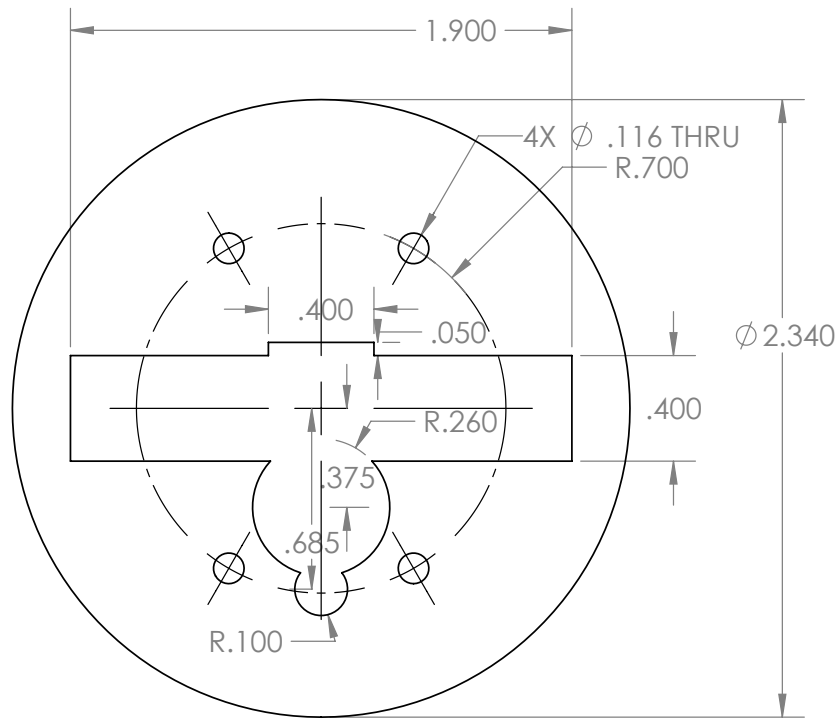
1

2

1

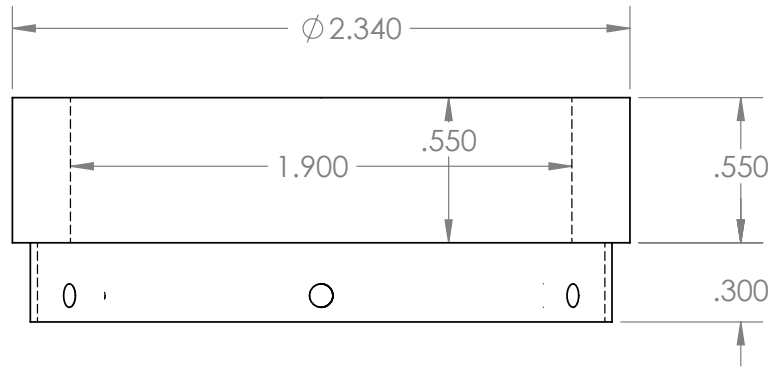
B

B



A

A



PROPRIETARY AND CONFIDENTIAL

THE INFORMATION CONTAINED IN THIS DRAWING IS THE SOLE PROPERTY OF DAVIS GROUP. ANY REPRODUCTION IN PART OR AS A WHOLE WITHOUT THE WRITTEN PERMISSION OF DAVIS GROUP IS PROHIBITED.

**SOLIDWORKS Student Edition.**  
For Academic Use Only.

		DIMENSIONS ARE IN INCHES	NAME	DATE
		TOLERANCES:	DRAWN	1/29/16
		FRACTIONAL ±	CHECKED	
		ANGULAR: MACH ± BEND ±	ENG APPR.	
		TWO PLACE DECIMAL ±	MFG APPR.	
		THREE PLACE DECIMAL ±	Q.A.	
		MATERIAL	COMMENTS:	
		FINISH		
		NEXT ASSY. USED ON		
		APPLICATION		
		DO NOT SCALE DRAWING		

Ritika Dusad  
rd429@cornell.edu  
Davis Group  
A19 Clark Hall

SIZE	DWG. NO.	REV.
A	can lid off center	
SCALE:1:2	WEIGHT:	SHEET 2 OF 3

2

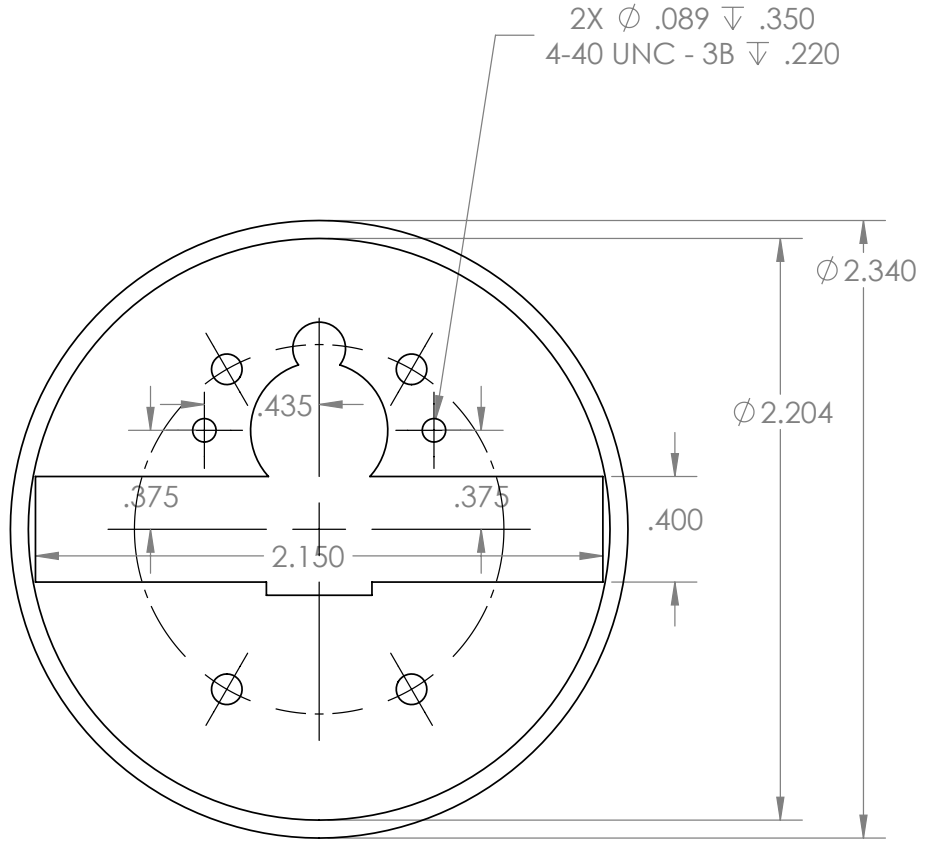
1

2

1

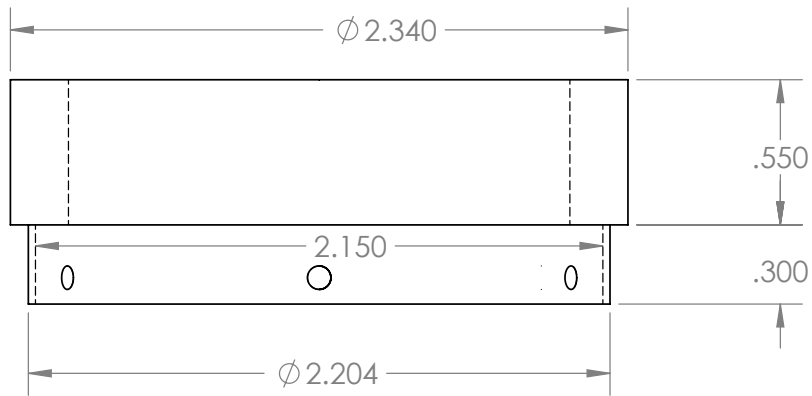
B

B



A

A



PROPRIETARY AND CONFIDENTIAL

THE INFORMATION CONTAINED IN THIS DRAWING IS THE SOLE PROPERTY OF CORNELL UNIVERSITY. ANY REPRODUCTION IN PART OR AS A WHOLE WITHOUT THE WRITTEN PERMISSION OF CORNELL UNIVERSITY IS PROHIBITED.

**SOLIDWORKS Student Edition.**  
**For Academic Use Only.**

		DIMENSIONS ARE IN INCHES TOLERANCES: FRACTIONAL $\pm$ ANGULAR: MACH $\pm$ BEND $\pm$ TWO PLACE DECIMAL $\pm$ THREE PLACE DECIMAL $\pm$	NAME	DATE
		MATERIAL	DRAWN	1/29/16
		FINISH	CHECKED	
		APPLICATION	ENG APPR.	
		DO NOT SCALE DRAWING	MFG APPR.	
			Q.A.	
			COMMENTS:	

Ritika Dusad  
 rd429@cornell.edu  
 Davis Group  
 A19 Clark Hall

SIZE	DWG. NO.	REV.
A	can lid off center	
SCALE: 1:2	WEIGHT:	SHEET 3 OF 3

2

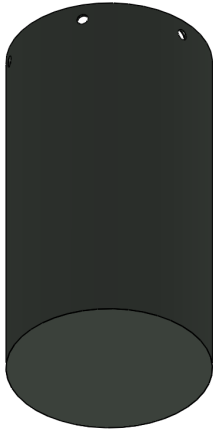
1

2

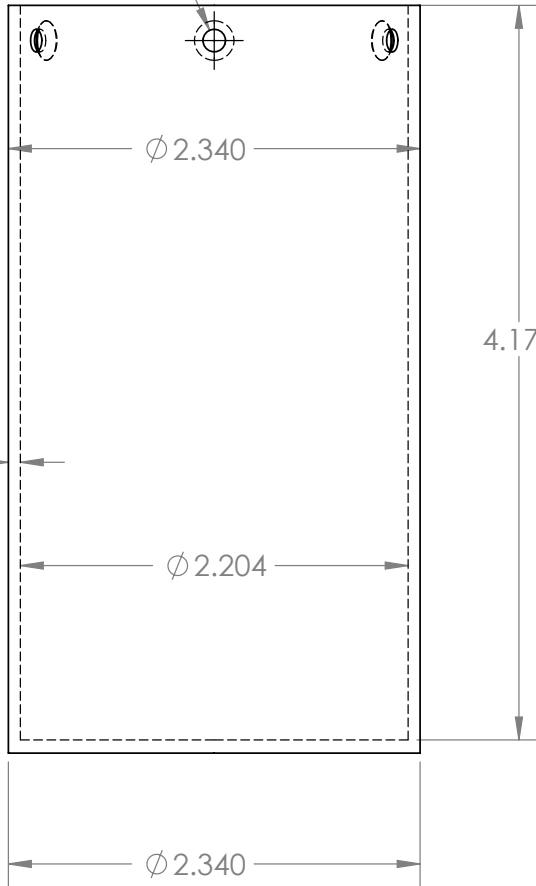
1

B

B



6X  $\phi$  .129 THRU  
 $\surd$   $\phi$  .225 X 100°



A

A

**PROPRIETARY AND CONFIDENTIAL**

THE INFORMATION CONTAINED IN THIS DRAWING IS THE SOLE PROPERTY OF DASSAULT SYSTEMES. ANY REPRODUCTION IN PART OR AS A WHOLE WITHOUT THE WRITTEN PERMISSION OF DASSAULT SYSTEMES IS PROHIBITED.

**SOLIDWORKS Student Edition.**  
 For Academic Use Only.

		DIMENSIONS ARE IN INCHES	NAME	DATE	Ritika Dusad rd429@cornell.edu Davis Group A19 Clark Hall
		TOLERANCES:	DRAWN	1/29/16	
		FRACTIONAL $\pm$	CHECKED		
		ANGULAR: MACH $\pm$ BEND $\pm$	ENG APPR.		
		TWO PLACE DECIMAL $\pm$	MFG APPR.		
		THREE PLACE DECIMAL $\pm$	Q.A.		
		MATERIAL	COMMENTS:		
		FINISH			
		DO NOT SCALE DRAWING			
		APPLICATION			

SIZE	DWG. NO.	REV.
<b>A</b>	Pb can	
SCALE: 1:2	WEIGHT:	SHEET 1 OF 1

2

1

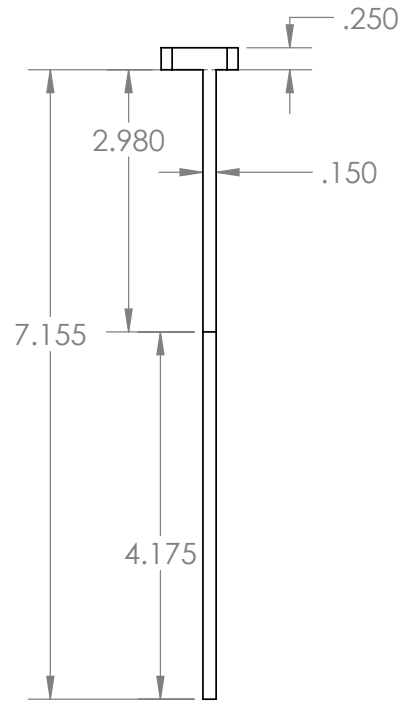
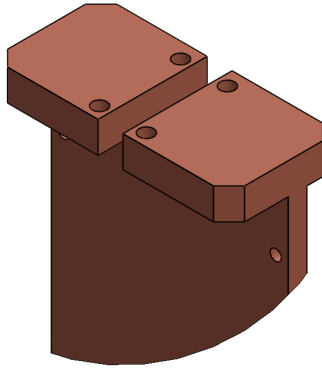


2

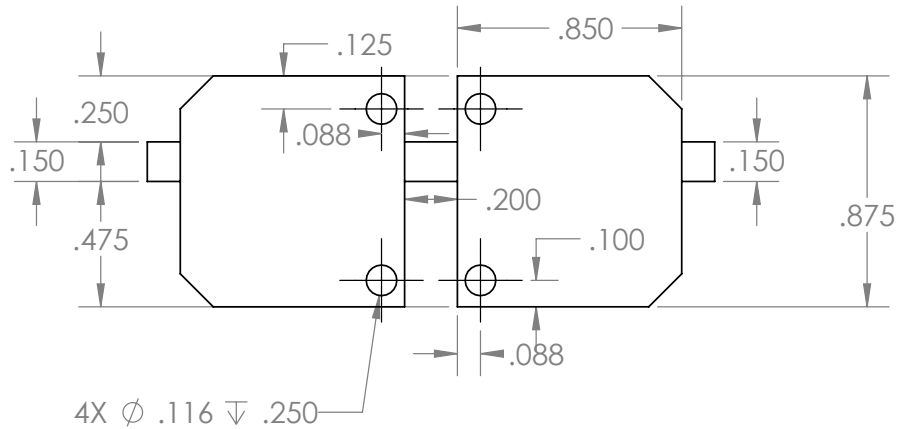
1

B

B



DETAIL A  
SCALE 1 : 1



A

A

**PROPRIETARY AND CONFIDENTIAL**  
 THE INFORMATION CONTAINED IN THIS DRAWING IS THE SOLE PROPERTY OF DAVIS GROUP. ANY REPRODUCTION IN PART OR AS A WHOLE WITHOUT THE WRITTEN PERMISSION OF DAVIS GROUP IS PROHIBITED.

**SOLIDWORKS Student Edition.**  
**For Academic Use Only.**

		DIMENSIONS ARE IN INCHES TOLERANCES: FRACTIONAL ± ANGULAR: MACH ± BEND ± TWO PLACE DECIMAL ± THREE PLACE DECIMAL ±	NAME	DATE
			DRAWN	1/29/16
			CHECKED	
			ENG APPR.	
			MFG APPR.	
			Q.A.	
			COMMENTS:	
		MATERIAL		
		FINISH		
		APPLICATION		
		DO NOT SCALE DRAWING		

Ritika Dusad  
 rd429@cornell.edu  
 Davis Group  
 A19 Clark Hall

SIZE	DWG. NO.	REV.
A	copper backing	
SCALE: 1:2	WEIGHT:	SHEET 2 OF 2

2

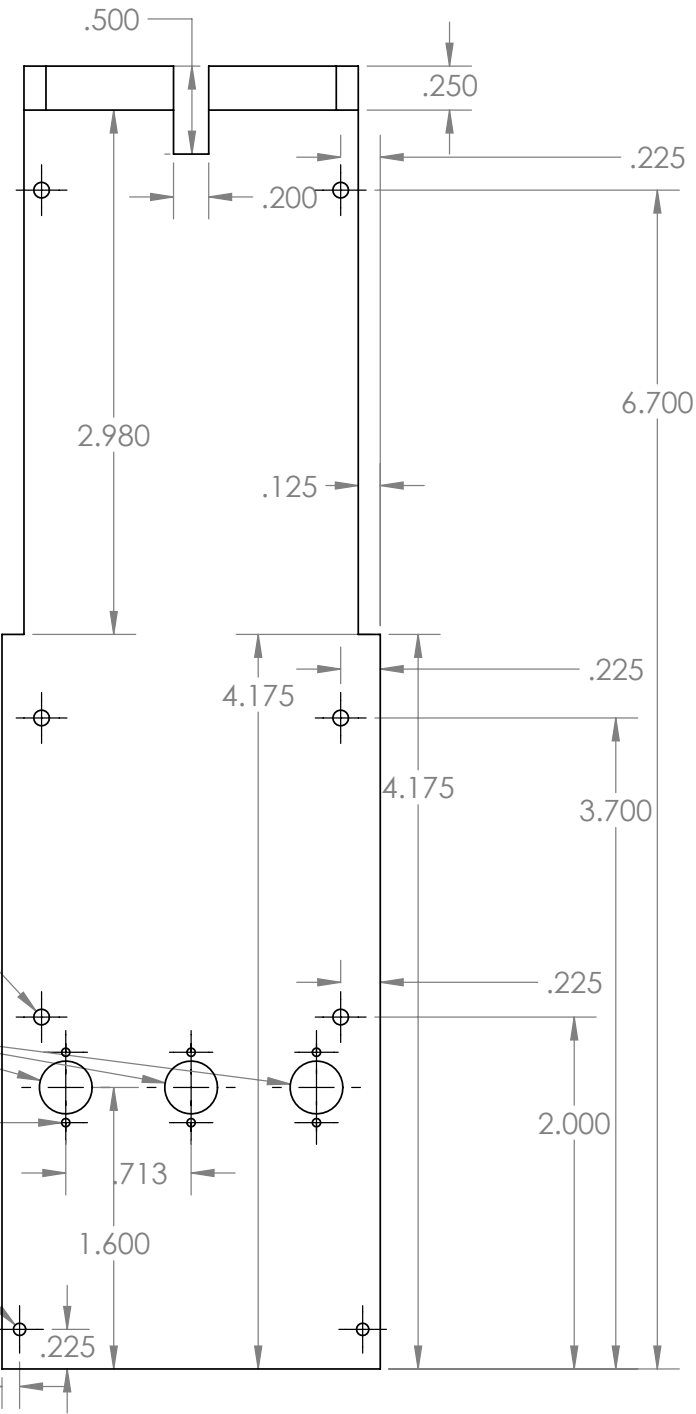
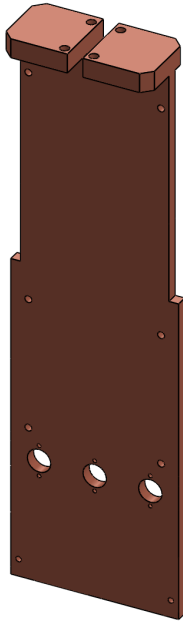
1

2

1

B

B



6X  $\phi$  .089  $\nabla$  .350  
 4-40 UNC - 3B  $\nabla$  .220

$\phi$  .300 THRU

6X  $\phi$  .047 THRU ALL  
 0-80 UNF - 3B THRU ALL

2X  $\phi$  .070 THRU ALL  
 2-56 UNC - 3B THRU ALL

A

A

**PROPRIETARY AND CONFIDENTIAL**

THE INFORMATION CONTAINED IN THIS DRAWING IS THE SOLE PROPERTY OF CORNELL UNIVERSITY. ANY REPRODUCTION IN PART OR AS A WHOLE WITHOUT THE WRITTEN PERMISSION OF CORNELL UNIVERSITY IS PROHIBITED.

**SOLIDWORKS Student Edition.**  
**For Academic Use Only.**

		DIMENSIONS ARE IN INCHES TOLERANCES: FRACTIONAL $\pm$ ANGULAR: MACH $\pm$ BEND $\pm$ TWO PLACE DECIMAL $\pm$ THREE PLACE DECIMAL $\pm$	NAME	DATE
			DRAWN	1/29/16
			CHECKED	
			ENG APPR.	
			MFG APPR.	
			Q.A.	
			COMMENTS:	
		MATERIAL		
		FINISH		
		DO NOT SCALE DRAWING		
		APPLICATION		

Ritika Dusad  
 rd429@cornell.edu  
 Davis Group  
 A19 Clark Hall

SIZE	DWG. NO.	REV.
<b>A</b>	copper backing	
SCALE:1:2	WEIGHT:	SHEET 1 OF 2

2

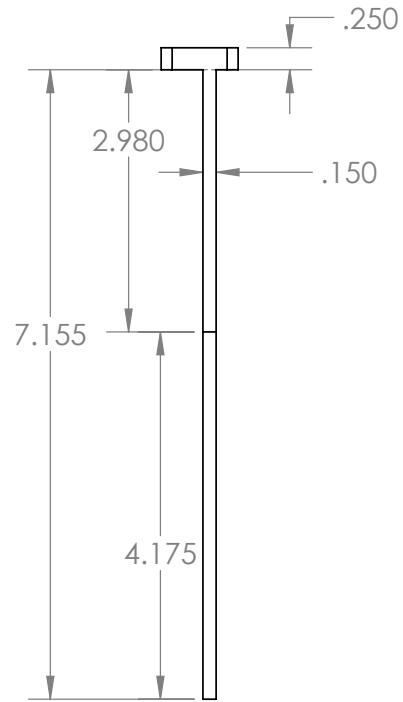
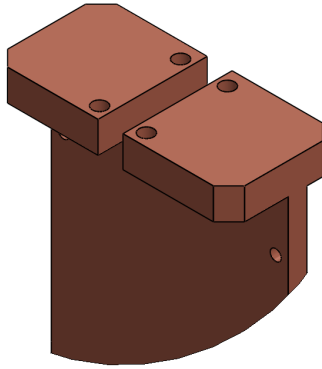
1

2

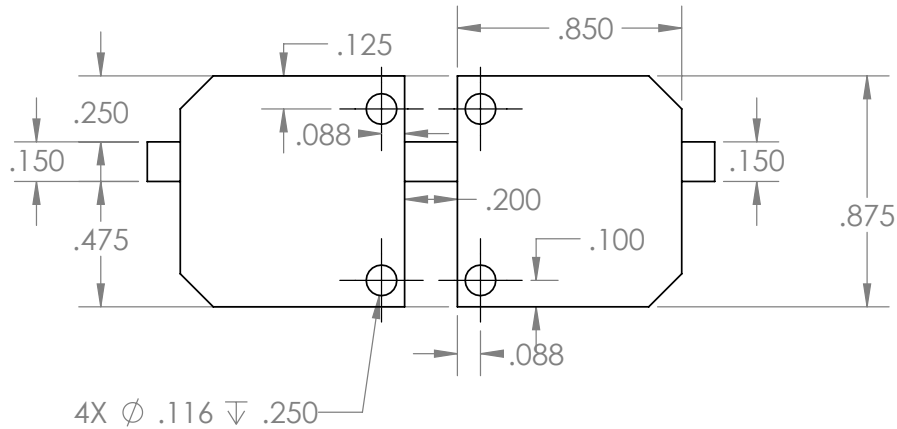
1

B

B



DETAIL A  
SCALE 1 : 1



A

A

**PROPRIETARY AND CONFIDENTIAL**

THE INFORMATION CONTAINED IN THIS DRAWING IS THE SOLE PROPERTY OF DAVIS GROUP. ANY REPRODUCTION IN PART OR AS A WHOLE WITHOUT THE WRITTEN PERMISSION OF DAVIS GROUP IS PROHIBITED.

**SOLIDWORKS Student Edition.**  
For Academic Use Only.

		DIMENSIONS ARE IN INCHES TOLERANCES: FRACTIONAL ± ANGULAR: MACH ± BEND ± TWO PLACE DECIMAL ± THREE PLACE DECIMAL ±	NAME	DATE
			DRAWN	1/29/16
			CHECKED	
			ENG APPR.	
			MFG APPR.	
			Q.A.	
			COMMENTS:	
		MATERIAL		
		FINISH		
		APPLICATION		
		DO NOT SCALE DRAWING		

Ritika Dusad  
rd429@cornell.edu  
Davis Group  
A19 Clark Hall

SIZE	DWG. NO.	REV.
A	copper backing	
SCALE: 1:2	WEIGHT:	SHEET 2 OF 2

2

1



2

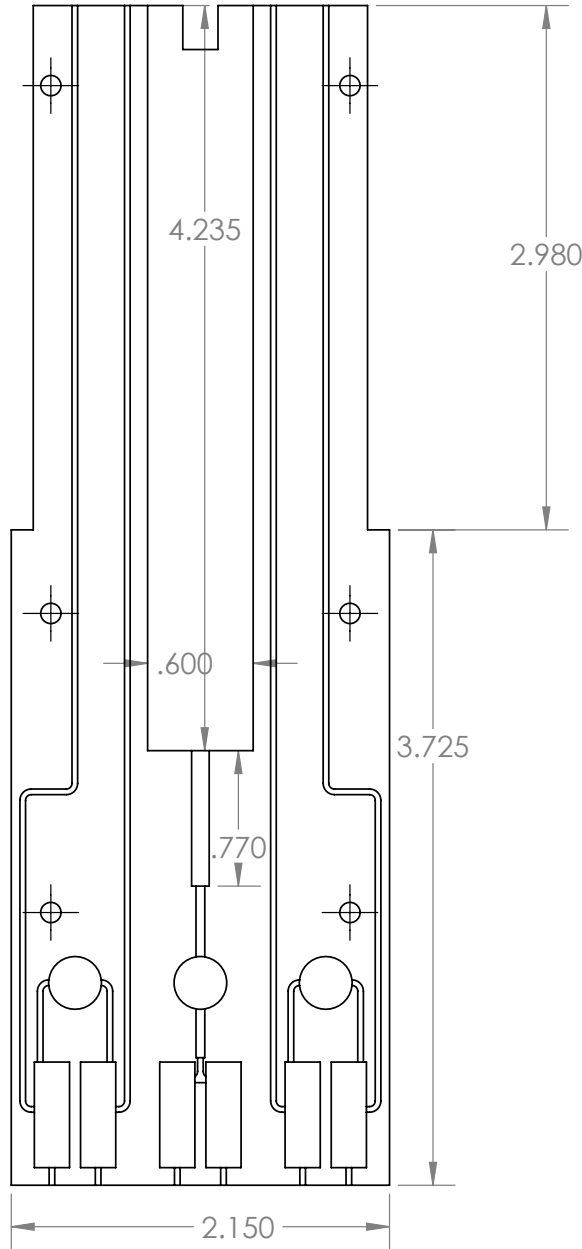
1

B

B

A

A



PROPRIETARY AND CONFIDENTIAL

THE INFORMATION CONTAINED IN THIS DRAWING IS THE SOLE PROPERTY OF SOLIDWORKS. ANY REPRODUCTION IN PART OR AS A WHOLE WITHOUT THE WRITTEN PERMISSION OF SOLIDWORKS IS PROHIBITED.

**SOLIDWORKS Student Edition.**  
**For Academic Use Only.**

		DIMENSIONS ARE IN INCHES		NAME	DATE
		TOLERANCES:		DRAWN	1/29/16
		FRACTIONAL: ±		CHECKED	
		ANGULAR: MACH ± BEND ±		ENG APPR.	
		TWO PLACE DECIMAL ±		MFG APPR.	
		THREE PLACE DECIMAL ±		Q.A.	
		MATERIAL		COMMENTS:	
		FINISH			
		NEXT ASSY. USED ON			
		APPLICATION			
		DO NOT SCALE DRAWING			
SIZE	DWG. NO.				REV.
<b>A</b>	1	circuit board			
SCALE: 1:2	WEIGHT:				SHEET 1 OF 1

2

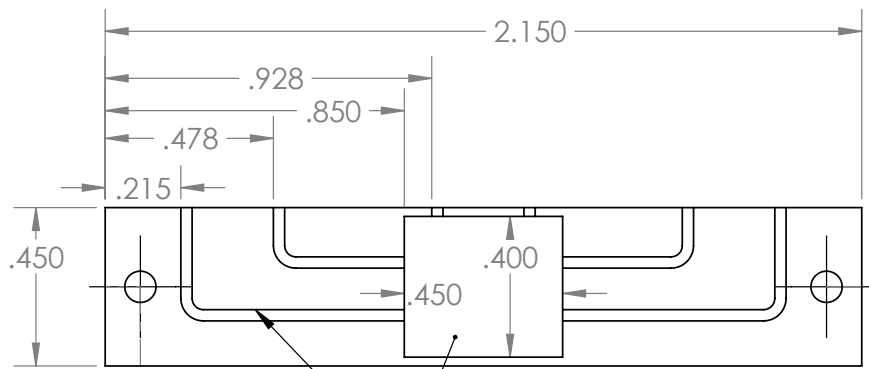
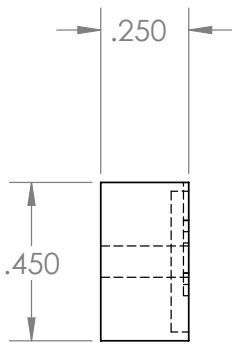
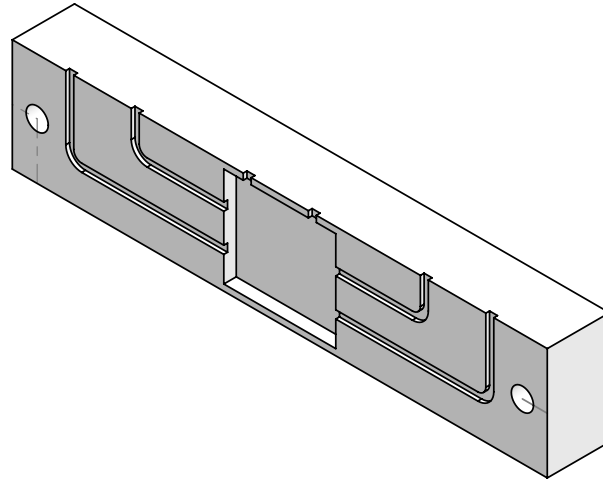
1

2

1

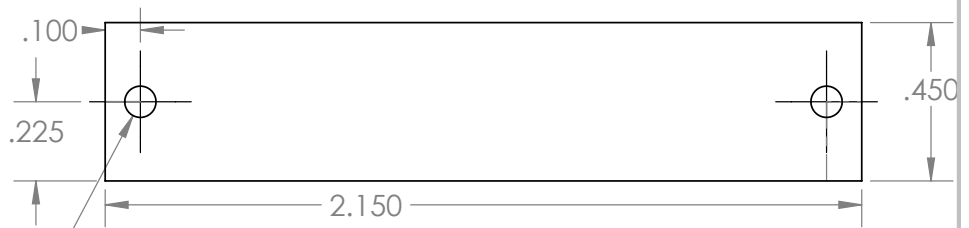
B

B



groove for SC wire  
depth = .015

groove for sample  
depth = .050



2X  $\phi$  .089 THRU ALL

A

A

**PROPRIETARY AND CONFIDENTIAL**

THE INFORMATION CONTAINED IN THIS DRAWING IS THE SOLE PROPERTY OF CORNELL UNIVERSITY. ANY REPRODUCTION IN PART OR AS A WHOLE WITHOUT THE WRITTEN PERMISSION OF CORNELL UNIVERSITY IS PROHIBITED.

**SOLIDWORKS Student Edition.**  
For Academic Use Only.

		DIMENSIONS ARE IN INCHES TOLERANCES: FRACTIONAL $\pm$ ANGULAR: MACH $\pm$ BEND $\pm$ TWO PLACE DECIMAL $\pm$ THREE PLACE DECIMAL $\pm$	NAME	DATE
			DRAWN	2/1/16
			CHECKED	
			ENG APPR.	
			MFG APPR.	
			Q.A.	
			COMMENTS:	
		MATERIAL		
		FINISH		
		NEXT ASSY. USED ON		
		APPLICATION		
		DO NOT SCALE DRAWING		

Ritika Dusad  
rd429@cornell.edu  
Davis Group  
A19 Clark Hall

SIZE	DWG. NO.	REV.
A	sample holder_new	
SCALE:1:1	WEIGHT:	SHEET 1 OF 1

2

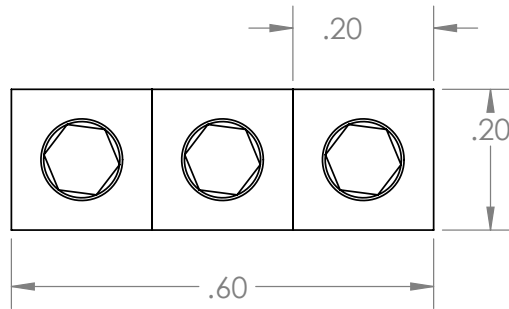
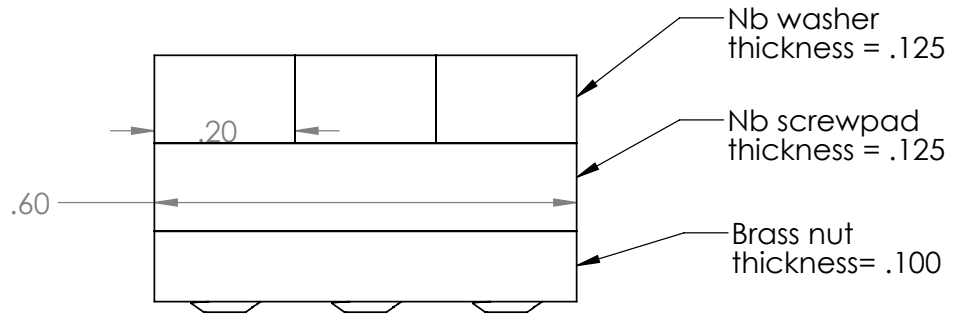
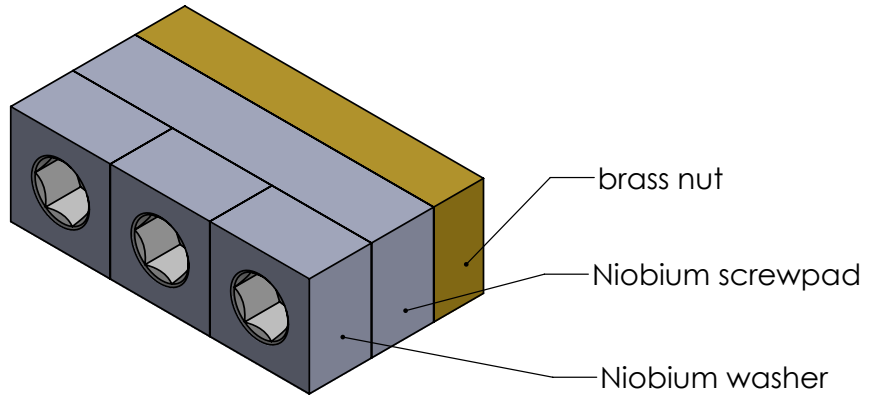
1

2

1

B

B



A

A

**PROPRIETARY AND CONFIDENTIAL**

THE INFORMATION CONTAINED IN THIS DRAWING IS THE SOLE PROPERTY OF ORION TECHNOLOGIES. ANY REPRODUCTION IN PART OR AS A WHOLE WITHOUT THE WRITTEN PERMISSION OF ORION TECHNOLOGIES IS PROHIBITED.

**SOLIDWORKS Student Edition.**  
For Academic Use Only.

		DIMENSIONS ARE IN INCHES TOLERANCES: FRACTIONAL ± ANGULAR: MACH ± BEND ± TWO PLACE DECIMAL ± THREE PLACE DECIMAL ±	NAME	DATE	
			DRAWN	1/29/16	
			CHECKED		
			ENG APPR.		
			MFG APPR.		
			Q.A.		
			COMMENTS:		
		MATERIAL			SIZE DWG. NO. REV.
		FINISH			assembly SC_joint_3_4-40_new
		APPLICATION			SCALE:4:1 WEIGHT: SHEET 1 OF 2
		DO NOT SCALE DRAWING			

2

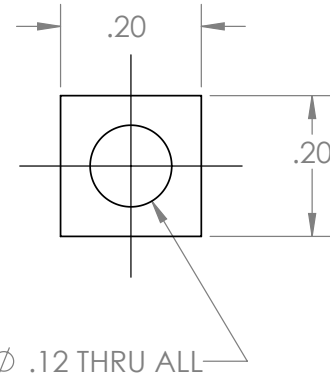
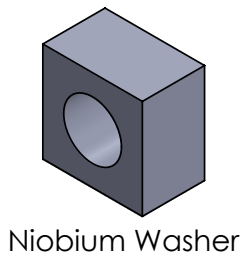
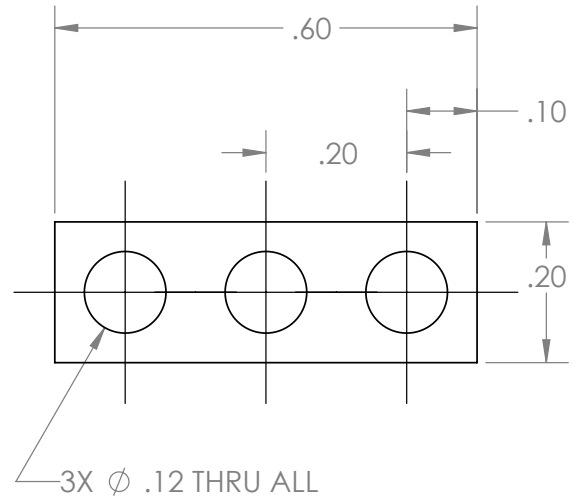
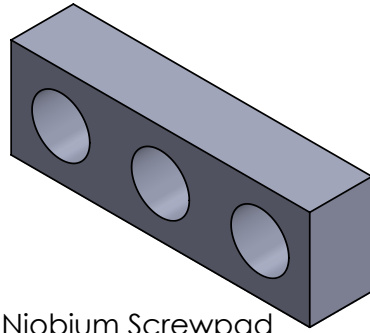
1

2

1

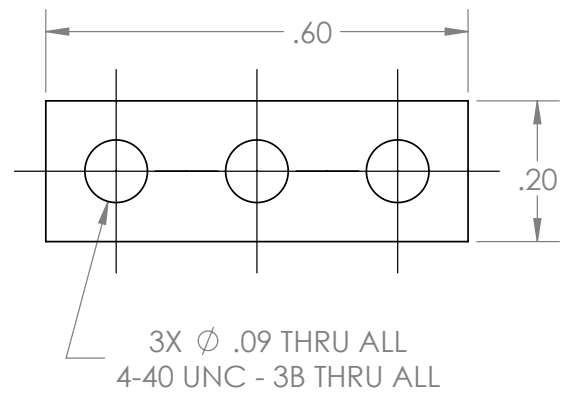
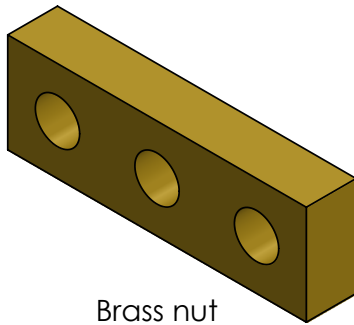
B

B



A

A



PROPRIETARY AND CONFIDENTIAL

THE INFORMATION CONTAINED IN THIS DRAWING IS THE SOLE PROPERTY OF THE UNIVERSITY OF MICHIGAN. ANY REPRODUCTION IN PART OR AS A WHOLE WITHOUT THE WRITTEN PERMISSION OF THE UNIVERSITY OF MICHIGAN IS PROHIBITED.

**SOLIDWORKS Student Edition.**  
For Academic Use Only.

		DIMENSIONS ARE IN INCHES	NAME	DATE
		TOLERANCES:	DRAWN	1/29/16
		FRACTIONAL $\pm$	CHECKED	
		ANGULAR: MACH $\pm$ BEND $\pm$	ENG APPR.	
		TWO PLACE DECIMAL $\pm$	MFG APPR.	
		THREE PLACE DECIMAL $\pm$	Q.A.	
		MATERIAL	COMMENTS:	
		FINISH		
		NEXT ASSY. USED ON		
		APPLICATION		
		DO NOT SCALE DRAWING		

assembly SC\_joint\_3\_4-40\_new  
SCALE:4:1 WEIGHT: SHEET 2 OF 2

2

1

4

3

2

1

F

F

E

E

D

D

C

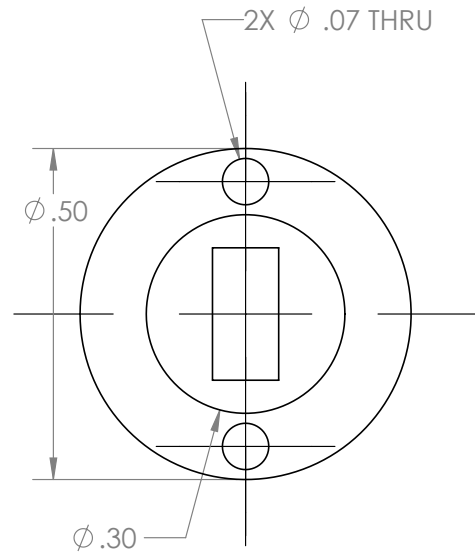
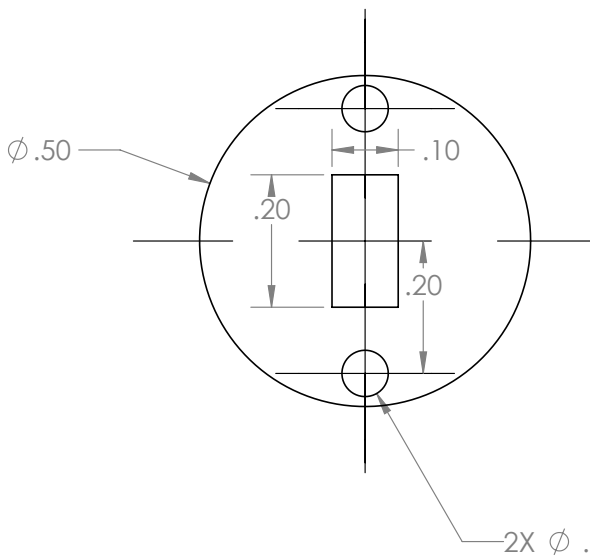
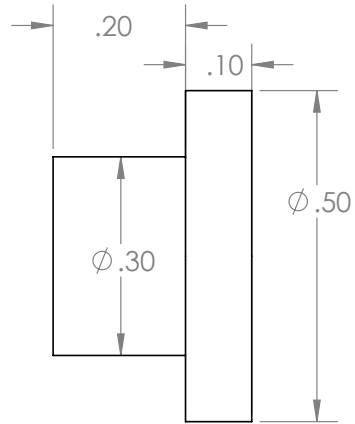
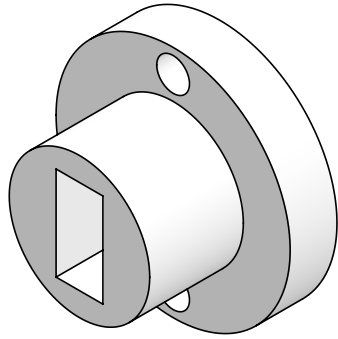
C

B

B

A

A



UNLESS OTHERWISE SPECIFIED: DIMENSIONS ARE IN MILLIMETERS SURFACE FINISH: TOLERANCES: LINEAR: ANGULAR:		FINISH:		DEBURR AND BREAK SHARP EDGES		DO NOT SCALE DRAWING		REVISION	
DRAWN		SIGNATURE		DATE		TITLE: Ritika Dusad rd429@cornell.edu Davis Group A19 Clark Hall			
CHK'D				1/22/16					
APPVD									
MFG									
Q.A.						DWG NO.		A4	
SOLIDWORKS Student Edition. For Academic Use Only.						SCALE:4:1		SHEET 1 OF 1	
				WEIGHT:					

PCS\_circular\_stycast\_back

4

3

2

1

4 3 2 1

F

F

E

E

D

D

C

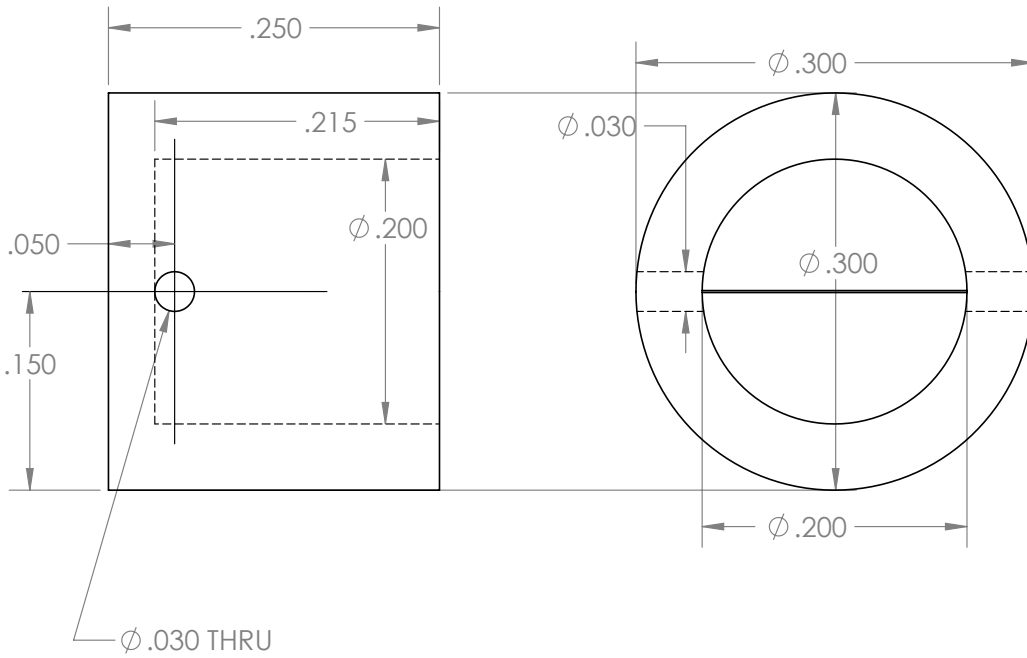
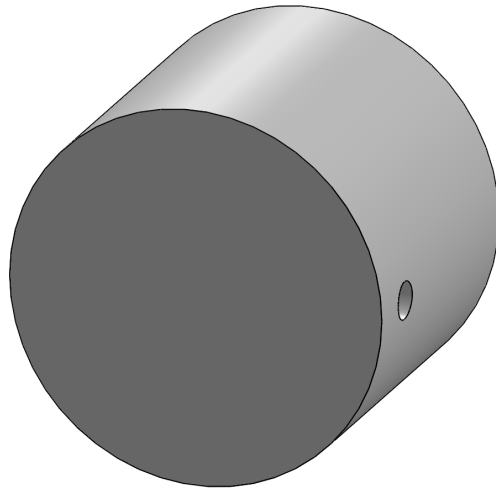
C

B

B

A

A



UNLESS OTHERWISE SPECIFIED: DIMENSIONS ARE IN MILLIMETERS SURFACE FINISH: TOLERANCES: LINEAR: ANGULAR:			FINISH:			DEBURR AND BREAK SHARP EDGES			DO NOT SCALE DRAWING			REVISION		
DRAWN						TITLE: Ritika Dusad rd429@cornell.edu Davis Group A19 Clark Hall								
CHK'D						DATE: 1/22/16								
APP'VD						DWG. NO. A4								
MFG						WEIGHT:								
Q.A.						SCALE:8:1								
SOLIDWORKS Student Edition. For Academic Use Only.						PCS_circular_stycast_front								
SHEET 1 OF 1														

4 3 2 1